

# JSP – 200

## HEAVY DUTY FOR SERVICE ENTRANCE APPLICATIONS

### FEATURES AND BENEFITS

- Listed to UL 1449 3rd Edition for a Type 1 and Type 2 SPD application.
- Fail-safe design with individually fused Metal Oxide Varistors (MOVs) eliminating single point failure, protecting against both overcurrent and overvoltage events.
- 200kAIC short circuit rating permits direct bus connection to most electrical services.
- Low let through voltage ensured by the lowest possible impedance path to ground and equal current sharing during surge events.
- All weather sealed, powder-coated NEMA 4/IP65 housing is designed for any orientation and indoor/outdoor applications.
- 10-year standard warranty with optional 15-year extended warranty.



### AVAILABLE CONFIGURATIONS

Model Number	Voltage	Configuration
JSP200-1P120	120V	1-Phase, 2-Wire + Ground
JSP200-1P240	240V	1-Phase, 2-Wire + Ground
JSP200-1S240	120/240V	2-Phase, 3-Wire + Ground
JSP200-3Y208	120/208V	3-Phase Wye, 4-Wire + Ground
JSP200-3Y380	220/380V	3-Phase Wye, 4-Wire + Ground
JSP200-3Y415	240/415V	3-Phase Wye, 4-Wire + Ground
JSP200-3Y480	277/480V	3-Phase Wye, 4-Wire + Ground
JSP200-3Y600	347/600V	3-Phase Wye, 4-Wire + Ground
JSP200-3H240	120/240V	3-Phase High-Leg, 4-Wire + Ground
JSP200-3D240	240V	3-Phase Delta, 3-Wire + Ground
JSP200-3D380	380V	3-Phase Delta, 3-Wire + Ground
JSP200-3D480	480V	3-Phase Delta, 3-Wire + Ground
JSP200-3D600	600V	3-Phase Delta, 3-Wire + Ground

Units suitable for TT and IT grounded power systems available upon request. Consult factory for model number.

#### Warranty

10-years (Optional 15-years)

#### Available Options

Surge Counter	Add suffix -B
Transient Filter	Add suffix -F (Meets UL 1283*)
Stainless Steel Enclosure	Add suffix -S

\*Not recommended when using telecommunication rectifiers.

#### EMI/RFI Filter Attenuation

Max. Attenuation Frequency	41dB @ 106kHz
----------------------------	---------------

### PRODUCT SPECIFICATIONS

#### Electrical

Maximum Surge Current Rating	200kA per phase, 100kA per mode
Nominal Discharge Current Rating (I-n)	20kA
Operating Frequency	47–63Hz
Connection Method	Parallel to electrical distribution system
Modes of Protection	All Modes (L-N, L-G, N-G, L-L)
Fault Rating (SCCR)	200kAIC – no upstream over-current protection device (breaker or fuse) required
Response Time	Less than 1 nanosecond
Standard Monitoring	Status indicator lights (one per phase) Standard Dry (From C) Relay Contacts Audible Alarm with Silence Button

#### Mechanical

Weight	40 lbs. (9 kg)
Enclosure Type	Powder coated, impact-resistance steel, weather-proof NEMA 4
Installation Location	Indoor / Outdoor
Mounting Method	Dual mounting flanges
Operating Environment	-40° to +185°F (-40° to +70°C)
Altitude	Up to 13,000 ft. (4000 m)
Product Design	Parallel design with individually fused MOVs

#### Regulatory

UL 1449 3rd Edition Type	Type 1
UL 1283	Yes
IEEE C62.41.1, .2, C62.45	Yes
Listed By	UL
CE	Yes

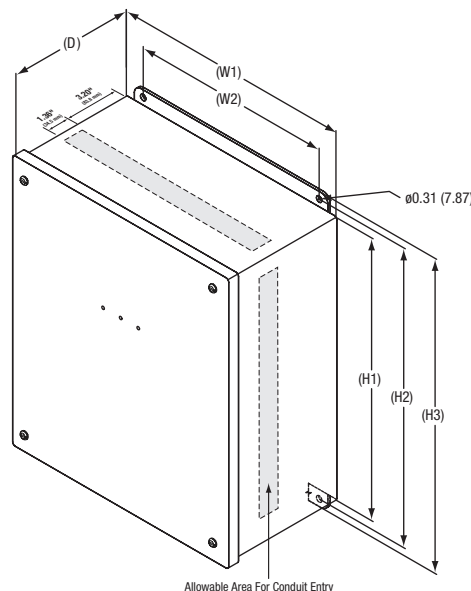
# SURGE PROTECTIVE DEVICES

## JSP 200 PERFORMANCE DATA

ANSI/IEEE C62.41.1-2002, C62.41.2-2002, & C62.45-2002 Measured Limiting Voltage

Model Number	Voltage Configuration	Protection Mode	MCOV	B3 Ring Wave 6kV, 500A	B3/C1 Combo Wave 6kV, 3kA	C3 Combo Wave 20kV, 10kA	UL 1449 3rd Edition 6kV, 3kA VPR
JSP200-1P120	1P120	L-N	150V	464V	502V	907V	800V
		L-G	150V	672V	627V	1173V	800V
		N-G	150V	512V	568V	1090V	800V
JSP200-1P240	1P240	L-N	320V	427V	828V	1170V	1200V
		L-G	320V	944V	996V	1540V	1200V
		N-G	320V	848V	899V	1500V	1200V
JSP200-1S240	1S240	L-N	150V	464V	502V	907V	800V
		L-G	150V	672V	627V	1173V	800V
		L-L	300V	576V	864V	1267V	1200V
JSP200-3Y208	3Y208	N-G	150V	512V	568V	1090V	800V
		L-N	150V	464V	502V	907V	800V
		L-G	150V	672V	627V	1173V	800V
JSP200-3Y380	3Y380	L-L	300V	576V	864V	1267V	1200V
		N-G	150V	512V	568V	1090V	800V
		L-N	320V	427V	828V	1170V	1200V
JSP200-3Y415	3Y415	L-G	320V	944V	996V	1540V	1200V
		L-L	640V	555V	1497V	1950V	1800V
		N-G	320V	848V	899V	1500V	1200V
JSP200-3Y480	3Y480	L-N	320V	427V	828V	1170V	1200V
		L-G	320V	944V	996V	1540V	1200V
		L-L	640V	555V	1497V	1950V	1800V
JSP200-3Y600	3Y600	N-G	320V	848V	899V	1500V	1200V
		L-N	420V	715V	1250V	1910V	1500V
		L-G	420V	829V	1340V	1960V	1500V
JSP200-3H240	3H240	L-L	840V	1130V	2300V	2910V	2500V
		N-G	420V	670V	1230V	1880V	1500V
		L-N	150V	464V	502V	907V	800V
JSP200-3D240	3D240	H-N	320V	427V	828V	1170V	1200V
		L-G	150V	672V	627V	1173V	800V
		H-G	320V	944V	996V	1540V	1200V
JSP200-3D380	3D380	L-L	320V	576V	864V	1267V	1200V
		H-L	470V	980V	1250V	1640V	1500V
		N-G	150V	512V	568V	1090V	800V
JSP200-3D480	3D480	L-G	320V	750V	940V	1650V	1200V
		L-L	320V	630V	1020V	1680V	1200V
		L-G	550V	1050V	1450V	2160V	1800V
JSP200-3D600	3D600	L-L	550V	860V	1670V	2470V	1800V
		L-G	550V	1050V	1450V	2160V	1800V
		L-L	550V	860V	1670V	2470V	1800V
JSP200-3D600	3D600	L-G	750V	1245V	1960V	2760V	2500V
		L-L	750V	1060V	2260V	2960V	2500V
		N-G	750V	1060V	2260V	2960V	2500V

All JSP™ systems measured limited voltages are peak values (±10%) measured from the zero reference point and are in compliance with test and evaluation procedures outlined in NEMA LS1-1992 (2000), paragraphs 2.210 and 3.10.



### DIMENSIONS

Dim	Inches (mm)
H1	14.00 (355.6)
H2	14.75 (374.7)
H3	15.50 (393.7)
W1	12.00 (304.8)
W2	10.00 (254.0)
D	6.20 (157.5)





# Energía Verde RMS

Ahorra y contribuye con tu ambiente <sup>®</sup>

General Miguel Barragán #814  
Aguascalientes, Ags.  
01 (449) 145 2028  
[energiaverderms.com.mx](http://energiaverderms.com.mx)